



Series 800 Vertisockets™ Horizontal Mounting with Bifurcated Contacts

FEATURES:

- Aries offers a full line of Vertisockets™ for DIP packaging of LEDs, incandescent lamps, DIP switches, test points, etc. The variations of mounting position and pin configuration provide exceptional design freedom.
- Restricted entry for contact protection.
- Accepts standard LEDs and incandescent displays as well as .500 [12.70] and .600 [15.24] high large displays.

SPECIFICATIONS:

- Standard body material is red UL 94-HB Glass-filled Nylon.
- High temperature body material is black UL 94V-0 4/6 Nylon.
- Bifurcated contacts are Grade A spring-tempered Phosphor Bronze per QQ-B-750.
- Contact plating is either 100μ [2.54μm] min. Tin per MIL-T-10727 or 10μ [254μm] min. Gold per MIL-G-45204, over 50μ [1.27μm] min. Nickel per QQ-N-290.
- Contact current rating=1.5 Amps.
- Operating temperature=221 °F [105°C] Tin plating, =257°F [125°C] Gold plating.
- Insertion Force=110 grams/pin average; Withdrawal Force=75 grams/pin average.
- Accepts flat leads up to .014 [.36] thick and .020 [.51] wide; round leads up to .020 [.51] in diameter.
- Accepts lead lengths: .075-.160 [1.91-4.06].

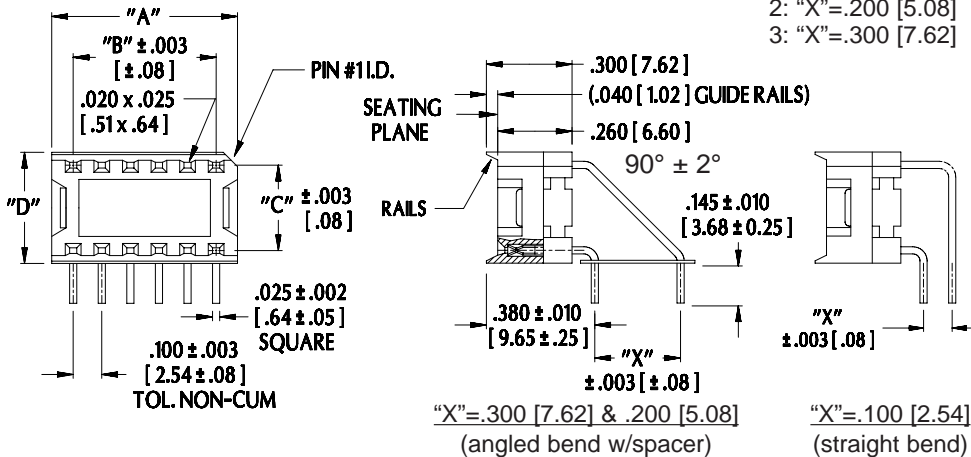
MOUNTING CONSIDERATIONS:

- Suggested PCB hole size=.044 ± .002 [1.12 ± .05] dia.

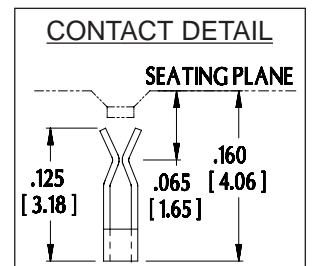
ALL DIMENSIONS: INCHES [MILLIMETERS]

"A"=(NO. OF PINS PER ROW X .100 [2.54]) + .050 [1.27]

"B"=(NO. OF PINS PER ROW - 1) X .100 [2.54]

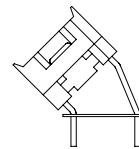


All tolerances ± .005 [.13] unless otherwise specified

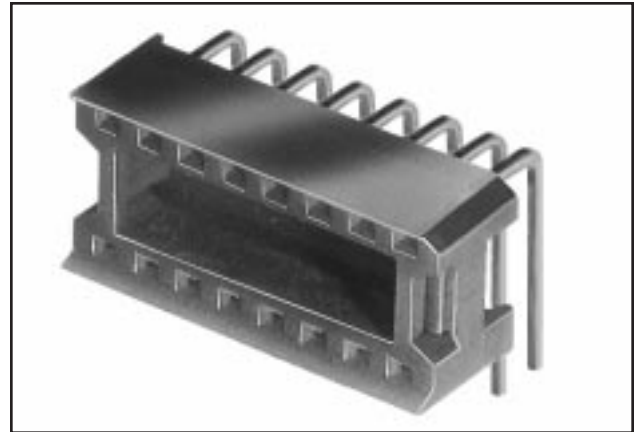


Centers "C"	Dim. "D"	Dim. "X"	Available Sizes
.200 [5.08]	.290 [7.37]	.100 [2.54]	8, 10
		.200 [5.08]	
		.300 [7.62]	
.300 [7.62]	.390 [9.91]	.100 [2.54]	8, 14 thru 20
		.200 [5.08]	
		.300 [7.62]	
.600 [15.24]	.690 [17.53]	.100 [2.54]	8 thru 40, 48
		.200 [5.08]	
		.300 [7.62]	

Consult Data Sheet No. 13002 for Vertical Mounting Vertisockets™ with bifurcated contacts.



Consult factory for sizes not shown and other display angles



Note: Aries specializes in custom design and production. In addition to the standard products shown on this page, special materials, platings, sizes, and configurations can be furnished, depending on quantities. Aries reserves the right to change product specifications without notice.

ORDERING INFORMATION

XX-X82X-90XXX

No. of pins (see table) Series: 282: "C"=.200 [5.08] 82: "C"=.300 [7.62] 682: "C"=.600 [15.24] 0: "X"=.100 [2.54] 2: "X"=.200 [5.08] 3: "X"=.300 [7.62]

Optional suffix:
WR=Without rails
V0=UL 94V-0 plastic
T=Tin plating
No suffix=Gold plating
Display angle

ARIES
ELECTRONICS, INC.
http://www.arieselec.com • info@arieselec.com

NORTH AMERICA
Frenchtown, NJ USA
TEL: (908) 996-6841
FAX: (908) 996-3891



UK/IRELAND/GB
TEL: +44 870 240 0249
FAX: +44 1653 600493
uking@arieselec.com

EUROPE/MAINLAND/HOLLAND
TEL: +31 78 615 94 65
FAX: +31 78 615 43 11
europe@arieselec.com

13001
REV.C